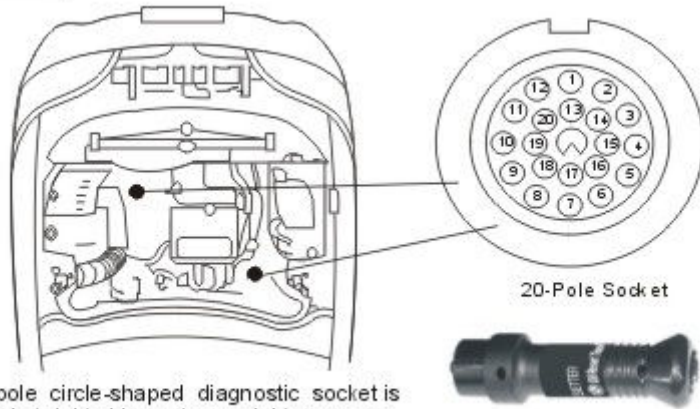


BMW

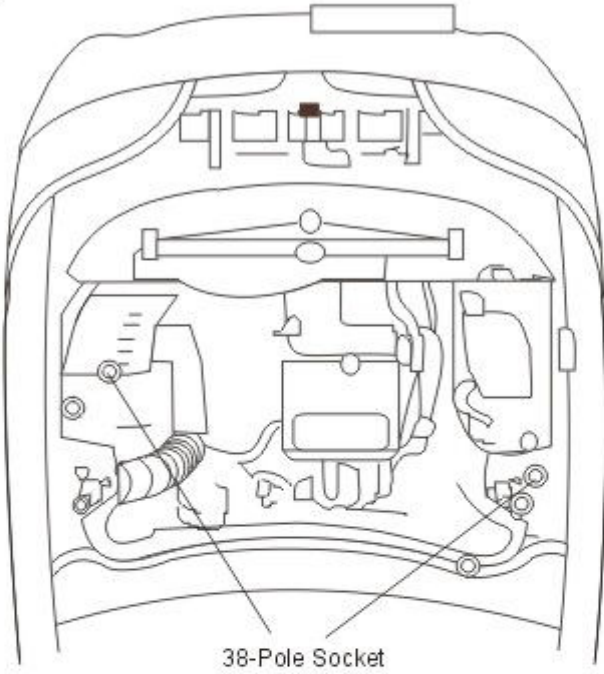


20-Pole Socket

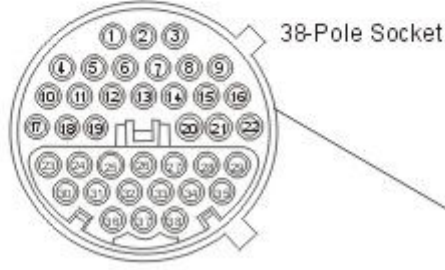
20-pole circle-shaped diagnostic socket is located at right side center, or right up corner, or left side center of engine compartment.

BENZ

38-pole diagnostic socket is located at right up corner or left up corner of engine compartment.



38-Pole Socket



38-Pole Socket

Insert Into Diagnostic Socket



Diagnostic Socket and Connection Figure